

advantage

PORTION BLENDING SYSTEM[®] ADVANCE

The advance portion control blender with ice shaver

One button simplicity and 6 preset programs! The PBS Advance is ready to make up to 4 drinks at one time using any mix. Its state-of-the-art electronics provide complete flexibility in customizing the programs for your busy operation. With a large ice bin capacity, this machine dispenses the exact amount of shaved ice to make the perfect drink! Every time! **Advantage: Vita-Mix[®]**.



 **Vita-Mix**[®]
FOODSERVICE

PORTION BLENDING SYSTEM® ADVANCE

FEATURES

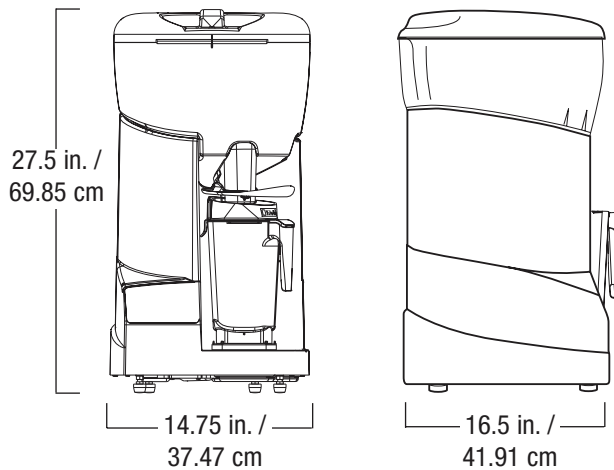
- 6 optimized programs with automatic shut-off
- 5 gallon / 19 Ltr. ice bin and ice shaving dispenser
- Fully programmable
- XP Container and patented Blade
- High performance blender
- Variable speed control
- Ice shave button
- Low ice indicator
- Advanced technology blender and shaver motors designed for demanding operations

BENEFITS

- Keep customers coming back for your consistently smooth, delicious frozen drinks
- Combine the most difficult-to-blend ingredients with ease and speed
- No overblending or wasted ingredients
- Accurately measures and dispenses ice for consistent drinks, every time!
- Optimize blender for your signature drinks
- Homogenize extra thick ingredients completely for smooth, creamy drinks
- Reduce blending time, increase drink volume and profits
- Available for use with or without the ice shaver for multiple applications
- Ultimate flexibility in blending with choice of 93 speeds
- Add extra ice when needed for ultimate flexibility
- Alert user to prevent shortage of ice during busy times
- No overheating during peak volumes or when using extra thick ingredients

PORTION BLENDING SYSTEM (PBS) ADVANCE – 48 oz. / 1.4 Ltr. polycarbonate/stackable XP Container and Blade – portion control ice shaver blender.

Motor: 2 HP motor (varies by voltage)
 Shaver Motor: .25 peak HP motor (varies by voltage)
 Pack: 1 per standard pack
 Weight: 58 lbs. / 26.3 kg
 Case Dimensions: 31 in. / 78.7 cm High x
 18 in. / 45.7 cm Wide x
 21 in. / 53.3 cm Deep



Item# Description

- 1544 PBS Advance, no warranty, 120V, 50/60 Hz, 12 Amps
- 1545 PBS Advance, one year parts only warranty, 120V, 50/60 Hz, 12 Amps
- 1546 PBS Advance, one year parts and labor* warranty, 120V, 50/60 Hz, 12 Amps
- 1506 PBS Advance, one year parts only warranty, 100V, 50/60 Hz, 1200 Watts
- 1525 PBS Advance, one year parts only warranty, 220-240V, 50/60 Hz, 1200-1400 Watts

*Labor in U.S.A. only

For more information, contact your local foodservice distributor.



www.vitamix.com/foodservice/barboss

800-4DRINK4



FOODSERVICE

For a Dealer near you, contact Vita-Mix:

US, Canada and Latin America: PHONE: 440-235-0214;
 FAX: 440-235-9670; EMAIL: foodservice@vitamix.com

For a Distributor in all other countries: TEL: +1.440.782.2450;
 FAX: +1.440.782.2220; EMAIL: international@vitamix.com