



Hi-Power Blender Series

MX1100XT/MX1100XTP/MX1100XTS

Features

- Heavy-duty 3.5 peak input HP motor
- 45,000 RPM (bare motor speed)
- Great for smoothies, bar drinks, soups, salsas, sauces, desserts, dressings and more
- Easy-to-clean electronic membrane keypad with high, low and pulse functions and 30-second countdown timer
- One-piece dishwasher-safe removable jar pad
- Sound enclosure available for quiet operation (SE500/SE1000)



MX1100XT



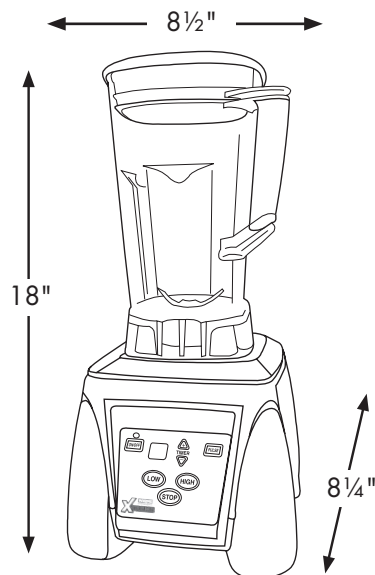
MX1100XT/MX1100XTP/MX1100XTS

Specifications

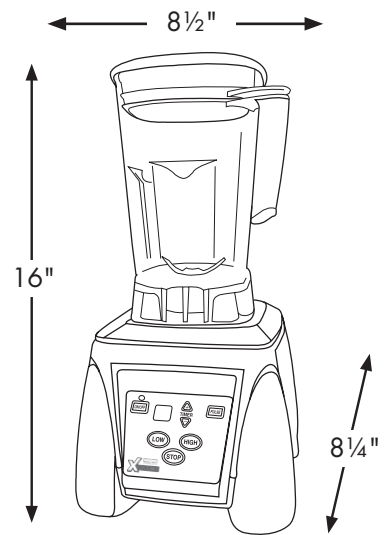
Item	Electrical	Listings	RPM (bare motor)	Dimensions (H" x W" x D")	Warranty
MX1100XT/ MX1100XTS	120 Volt, 13 Amp, 50/60 Hz	ETL,NSF	45,000	18"x8½"x8¼"	Limited 3 Year Motor and 2 Year Parts and Labor
MX1100XTP	120 Volt, 13 Amp, 50/60 Hz	ETL,NSF	45,000	16"x8½"x8¼"	Limited 3 Year Motor and 2 Year Parts and Labor

**Ordering
Information**

Description	Catalog #	Std Pkg.	Ship Wt. (Lbs.)	Cubic Feet	UPC Code
Xtreme Hi-Power Blender with 64 oz. Polycarbonate Container	MX1100XT	1	15 lbs.	0.92	040072006708
Xtreme Hi-Power Blender with 48 oz. Polycarbonate Container	MX1100XTP	1	15 lbs.	0.92	040072006814
Xtreme Hi-Power Blender with 64 oz. Stainless Steel Container	MX1100XTS	1	16 lbs.	0.92	040072006821
48 oz. Polycarbonate Container	CAC93	1	3.5 lbs.	0.33	040072004575
64 oz. Polycarbonate Container	CAC89	1	3.5 lbs.	0.34	040072002342
64 oz. Stainless Steel Container	CAC90	1	6 lbs.	0.34	040072002359
Sound Enclosure for Xtreme Series 64 oz. Containers	SE1000	1	5.5 lbs.	1.05	040072002366
Sound Enclosure for Xtreme Series 48 oz. Containers	SE500	1	5 lbs.	0.95	040072007668



MX1100XT/MX1100XTS



MX1100XTP